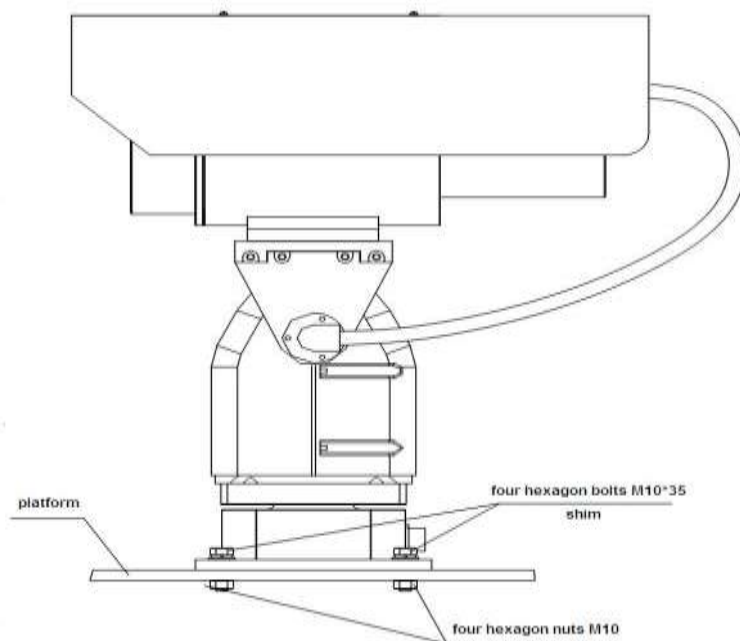


SHR-IR Series Thermal Imaging Camera

See through the fog, smoke, dust and other hazardous atmospheres in total darkness

I. Introduction

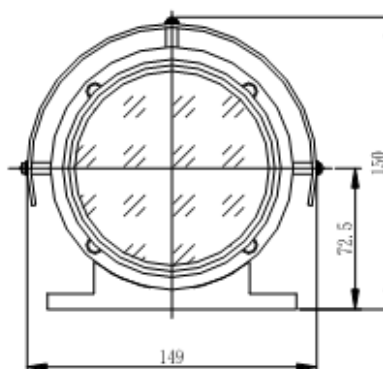
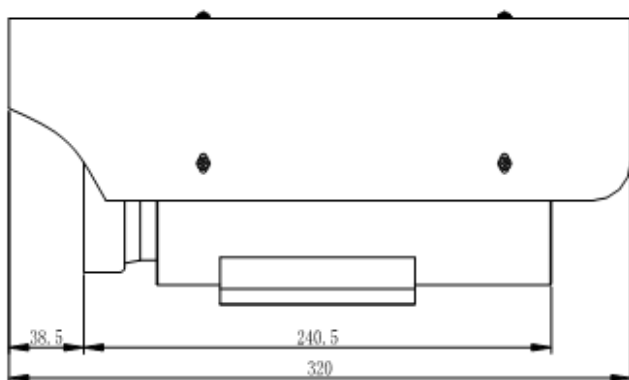
- Uncooled micro bolometer infrared focal plane arrays, 324×256 pixel NETD at 50mk, easy to find objects
- Special compensation circuits: No need of TEC, low power consumption
- DDE technology: easy to find hidden objects
- Special Image processing technology: flat image with no noise, 10 pseudo color and 2 formats: hot black/hot white
- Start quickly: 2s driving time
- Power Supply: AC220V/AC24V/DC12V (optional)
- High aluminum alloy shell: with nitrogen inside; can work under harsh environment
- 50MM ,100MM,150MM,185MM,200MM Lens(Optional)
- **9HZ /25HZ Thermal**(Optional)



II. Main Use

- Frontier and coast defense, Military/Police, Border defense
- Oilfields, Railways, Airports, Harbors, Fireproofing, Large areas real-time monitoring

III. Technical Indicators



Model:SHR-IR100/IR105

Unique Features(Optional): **Lens: 20~100mm, F1.2 GE lens, FOV 36°x27°~7.0°x5.6°;5x Continuous Zoom**

Effecting Distance Detecting distance: 4400m for vehicles, 1600m for people in total darkness;
Recognition distance: 1100m for vehicles and 400m for people in total darkness;
Identification distance: 600m for vehicles and 200m for people in total darkness.

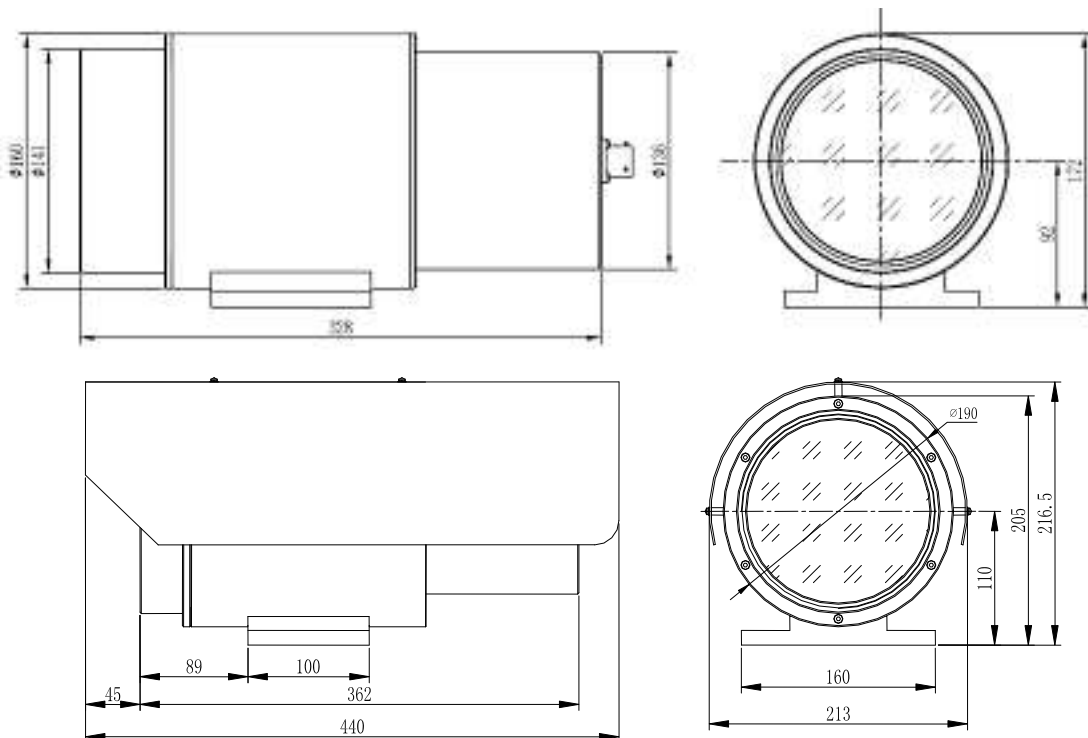
Detector Fourth generation of uncooled focal plane infrared detector;
resolution at 324x256 pixels;
spectrum range 8~14μm;
NETD 35mk

Lens Focal length: 100mm,
F=1.0;
FOV: 7.0°x5.6°;
GE ;
Electric focusing

Image Processing 1.Built-in correcting circuits, no need of TEC; working temperature -40~+75°C , good picture uniformity
2. Dynamic Detail Enhancer(DDE)



	<ol style="list-style-type: none">9 pseudo color and hot black/hot white formatsAutomatic Gain Control(AGC) technology2x digital magnification
Interface	<ol style="list-style-type: none">RS485(PELCO D protocol, Baud rate 2400bps/s), RS-232(optional)OSD menuPAL compound video outputAC220V/AC24V/DC12V(optional)waterproof navigation outlet
Size and Weight	<ol style="list-style-type: none">size: 300mm x 150mm x 150mmweight: 5Kg
Others	<ol style="list-style-type: none">working temperature: -25°C ~+60°Cstorage temperature: -40°C ~+85°Cunder PH6.5~7.2, continuous spraying fog for 48 hourspower consumption: 8w(normal)anti-vibration 15m/s² 5~200Hzanti-impact: 150m/s²11ms



Model:SHR-IR150/150R/155R
Unique Features(Optional):

1. **Lens: 75~150mm, GE lens, 2x continuous optical zooming; F=1.2; FOV: 4.6°×3.5°~9.3°×7°;**
2. **Lens: 30~150mm, GE lens, 5x continuous optical zooming; F=1.2; FOV: 4.6° ×3.5° —23° ×17.3° ;**

Effecting Distance	Detecting distance: 6600m for vehicles, 2400m for people in total darkness; Recognition distance: 1650m for vehicles and 600m for people in total darkness; Identification distance: 870m for vehicles and 300m for people in total darkness.
---------------------------	---

Detector	fourth generation of uncooled focal plane infrared detector; resolution at 324×256 pixels; spectrum range 8~14μm; NETD 50mk
-----------------	---

Lens	Focal length: 150mm, 2x continuous optical zooming; F=1.2; FOV: 4.6°×3.5°;GE or Zn-Se material; Electric focusing
-------------	--

Image Processing	1. Built-in correcting circuits, no need of TEC; working temperature -40~+75°C, good picture uniformity 2. Dynamic Detail Enhancer(DDE) 3. 10 pseudo color and hot black/hot white formats 4. Automatic Gain Control(AGC) technology 5. 2x digital magnification
-------------------------	--

Interface	1. RS485(PELCO D protocol, Baud rate 2400bps/s), RS-232(optional) 2. OSD menu 3. PAL/NTSC compound video output 4. AC220V/AC24V/DC12V(optional) 5. waterproof navigation outlet
------------------	---

Size and Weight	1.size: 330mm × 172mm × 160mm 2.weight: 4.5Kg
------------------------	--

Others	1. working temperature: -25°C~+60°C ;storage temperature: -40°C ~+85°C 2. anti-vibration 15m/s ² 5~200Hz; anti-impact: 150m/s ² 11ms 3. power consumption: 8w(normal) 4. IP66
---------------	--

Model:SHR-IR185R

Effecting Distance	Detecting distance: 8000m for vehicles, 2800m for people in total darkness; Recognition distance: 2000m for vehicles and 700m for people in total darkness; Identification distance: 1000m for vehicles and 350m for people in total darkness.
Detector	1. fourth generation of uncooled focal plane infrared detector; 2. resolution at 324x256 pixels; 3. spectrum range 8~14μm; 4. NETD 50mk
Lens	1. Focal length: 36~180mm continuous optical zooming; 2. F=1.2; 3. FOV: 3.9° ×2.9° ~19° ×14.5° 4. GE or Zn-Se material;
Image Process	1. Built-in correcting circuits, no need of TEC; working temperature -40~+75°C, good picture uniformity 2. Dynamic Detail Enhancer(DDE) 3. 10 pseudo color and hot black/hot white formats 4. Automatic Gain Control(AGC) technology 5. 2x digital magnification
Interface	1. RS485(PELCO D protocol, Baud rate 2400bps/s), RS-232(optional) 2. OSD menu 3. PAL compound video output 4. AC220V/AC24V/DC12V(optional) 5. waterproof navigation outlet
Size and Weight	1.size: 380mm × 190mm × 205mm 2.weight: 7Kg
Others	1.aluminum shell, 99.999% nitrogen inside 2.working temperature: -25°C~+55°C 3.storage temperature: -40°C~+65°C 4. IP66 5. power consumption: 8w(normal)

